

Cerniera Maxima per anta premontata

Cerniera a due ali in alluminio, contropiastre, viti e perno in acciaio inox, boccola in nylon autolubrificante. Viene fornita già premontata destra o sinistra e quindi pronta per l'assemblaggio al serramento. Portata di 2 cerniere Kg 70.



Maxima hinge for ready-assembled doors and windows

Two-wing hinge made from aluminium, counterplates, screws and pin are stainless steel while the bush is made from self-lubricating nylon. It is ready-assembled right or left and so easy to fit to the wing. Capacity of 2 hinges, Kg 70.

art. **06200.00.26 DX**
06200.00.27 SX



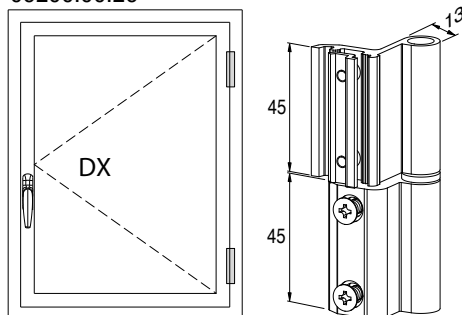
- 50 pezzi / 50 units

- 20 pezzi finiture speciali (oro e inox ossidati) / 20 units special finishes (gold and oxidized steel)

Adattabilità ai sistemi Adaptability to the systems

- > **ALCAN**
Green 45 sormonto, 45/52SP, Keeper 53/60, Keeper 61/68
- > **AL SISTEM**
Planet 45 / 50TT / 62TT / 72HT
- > **ALL.CO**
Export 40 / 45 / 45TT / 50 / 50TT, K45T, K64T, K70T
- > **ALUMEC**
Syntesis 45 / 57 / 60TT
- > **ALUX SYSTEMS**
Shell 50 / 50TH / 60 TH / 70 TH
- > **ALLU SISTEMI**
Twin Systems CX450 / CX600 / CX700
- > **ETA**
Start 410 / 510 / 470TT / 560TT / 640TT
- > **HYDRO**
Break PA52 / PA62 / PA63 / PA70 / PA70S, Bright PA70S, Stopper PG, Stopper PG Style
- > **INDINVEST**
Gold 400 / 490 / 500 / 600
- > **METRA**
NC 45 int. / 45STH / 55 int. / 65STH / 68STH / 72STH
- > **PASSERINI**
Maastricht53 / TH60 / TH68 / TH76 / TH16
- > **PONZIO**
Windstop 45 / 45TT / 55TT / 65TT
- > **PRISAL EXTRUSION**
PR50 / PR50TT / PR65TT
- > **PROFILATI**
Eku 40 / 53 / 53TT / 64TT / 72TT
- > **CAMERA EUROPEA (Euro Groove)**

06200.00.26



06200.00.27

