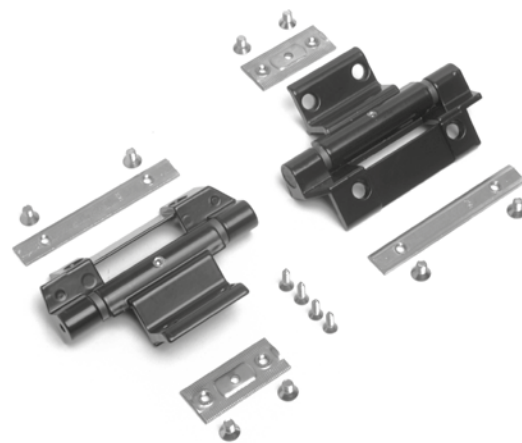


Coppia cerniera intermedia

Gruppo cerniera intermedia DX e SX.
Realizzate in alluminio e zama. Si utilizzano in abbinamento alle ns. cerniere art. 20060.00.00 e devono essere utilizzate solo come cerniere intermedie.

DOTAZIONI

8 viti TSP 5MAx8 inox
4 contropiastre di fissaggio inox
4 viti autofilettanti 3,5x13



Intermediate hinge pair

Group of Right and Left intermediate hinges. Made of aluminium and zamak. To be used in combination with our art. 20060.00.00 hinge and must be used only as intermediate hinges.

SUPPLIED PARTS

8 TSP 5MAx8 stainless-steel screws
4 stainless-steel securing counterplates
4 3,5x13 stainless-steel self-threading screws

art.20170.00.00



- scatola da 10 coppie / box of 10 pairs
- 5 coppie finiture cromate / 5 pairs bright treated finishing

Adattabilità ai sistemi Adaptability to the systems

- > ALCAN
Green 45 sormonto, 45/52SP, Keeper 53/60, Keeper 61/68
- > AL SISTEM
Planet 45 / 50TT / 62TT / 72HT
- > ALL.CO
Export 40 / 45 / 45TT / 50 / 50TT, K45T, K64T, K70T
- > ALUMEC
Synthesis 45 / 57 / 60TT
- > ALLU SISTEMI
Twin Systems CX450 / CX600 / CX700
- > ALUX SISTEMI
Shell 65 THS
- > ETA
Start 410 / 510 / 470TT / 560TT / 640TT
- > HYDRO
Break PA52 / PA62 / PA63 / PA70 / PA70S, Bright PA70S, Stopper PG, Stopper PG Style
- > INDINVEST
Gold 400 / 450 / 450TT / 490 / 500 / 600TT
- > METRA
NC 45 int. / 45STH / 55 int. / 65STH / 68STH / 72STH
- > PASSERINI
Maastricht53 / TH60 / TH68 / TH76 / TH16
- > PONZIO
Windstop 45 / 45TT / 45 classic / 55TT / 55TT classic / 65TT / 65TT classic
- > PRESAL EXTRUSION
PR50 / PR50TT / PR65TT
- > PROFILATI
Eku 40 / 53 / 53TT / 64TT / 72TT
- > CAMERA EUROPEA (Euro Groove)

