

art.21190.00.82



- scatola da 1 kit
- box with 1 kit

Adattabilità ai sistemi
Adaptability to the systems

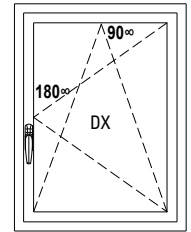
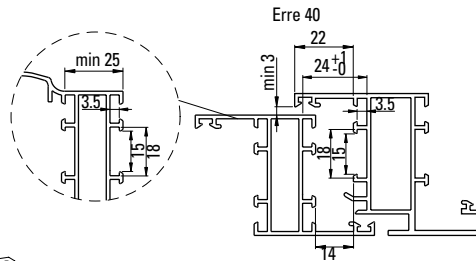
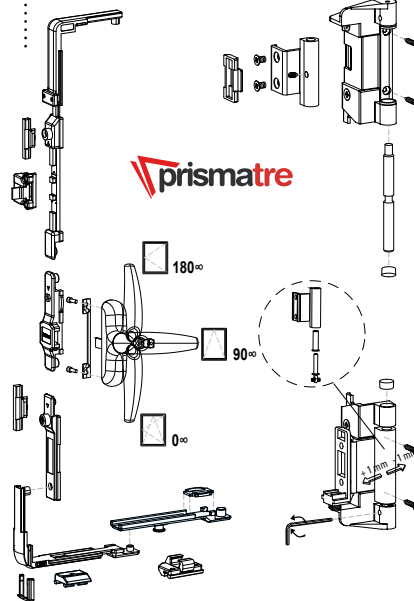
> ALLU SISTEMI
Twin Systems RX450 / RX500 / RX600 / RX700

> CLL
Tecno45 / 50 / 50TT / 60TT / 68TT

> PONZIO
New Tec 50 / 52TT / 60 TT / 65TT / 68TT

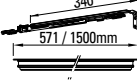
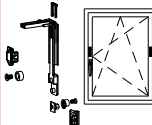
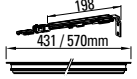
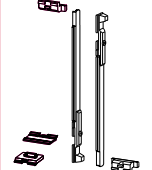
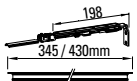
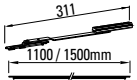
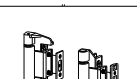

> PRESAL EXTRUSION
PR58 / PR 58TT / PR66TT

> SAPA
R40, R40 telaio raggiato, R50 TT barra continua
R62TT, R72TT



Manovra logica
Logical movement

Articoli complementari / Complementary articles

 340 571 / 1500mm	20710.00.21 Braccio lungo per ribalta Long arm for tilt un turn		20750.00.00 Chiusura supplementare verticale Additional vertical lock
 198 431 / 570mm	20720.00.21 Braccio corto per ribalta Short arm for tilt un turn		05150.00.00 Catenacci per anta abbinata Bolt for double casement
 198 345 / 430mm	20730.00.21 Braccio extra corto per ribalta Extra short arm for tilt un turn		
 311 1100 / 1500mm	20740.00.21 Braccio supplementare Extra arm		
	20760.00.00 Coppia cerniere per anta abbinata Kit with hinges for double wings		

art.21190.00.83



- scatola da 1 kit
- box with 1 kit

Adattabilità ai sistemi
Adaptability to the systems

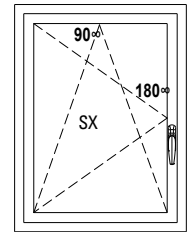
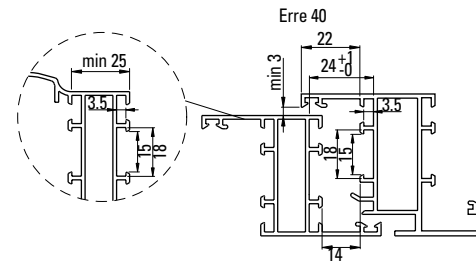
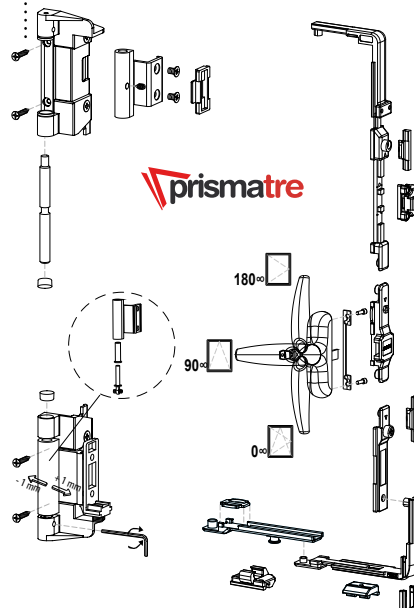
> ALLU SISTEMI
Twin Systems RX450 / RX500 / RX600 / RX700

> CLL
Tecno45 / 50 / 50TT / 60TT / 68TT

> PONZIO
New Tec 50 / 52TT / 60 TT / 65TT / 68TT

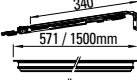
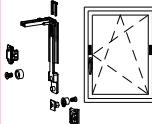
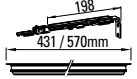
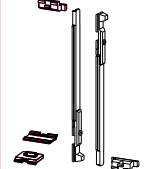



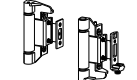
> PRESAL EXTRUSION
PR58 / PR 58TT / PR66TT

> SAPA
R40, R40 telaio raggiato, R50 TT barra continua
R62TT, R72TT



Manovra logica
Logical movement

Articoli complementari / Complementary articles

 340 571 / 1500mm	20710.00.21 Braccio lungo per ribalta Long arm for tilt un turn		20750.00.00 Chiusura supplementare verticale Additional vertical lock
 198 431 / 570mm	20720.00.21 Braccio corto per ribalta Short arm for tilt un turn		05150.00.00 Catenacci per anta abbinata Bolt for double casement
 198 345 / 430mm	20730.00.21 Braccio extra corto per ribalta Extra short arm for tilt un turn		
 311 1100 / 1500mm	20740.00.21 Braccio supplementare Extra arm		
	20760.00.00 Coppia cerniere per anta abbinata Kit with hinges for double wings		