

# Carrello singolo registrabile "Roller Green"

Carrello registrabile e ispezionabile, permette cioè la eventuale sostituzione senza dover aprire l'anta, realizzato in nylon con portaruote in zama.  
Portata 2 carrelli Kg 80

**new**



## Adjustable single roller sliding window "Roller Green"

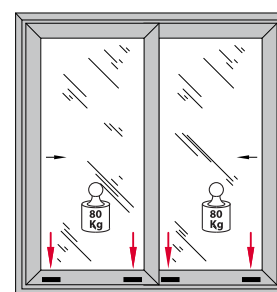
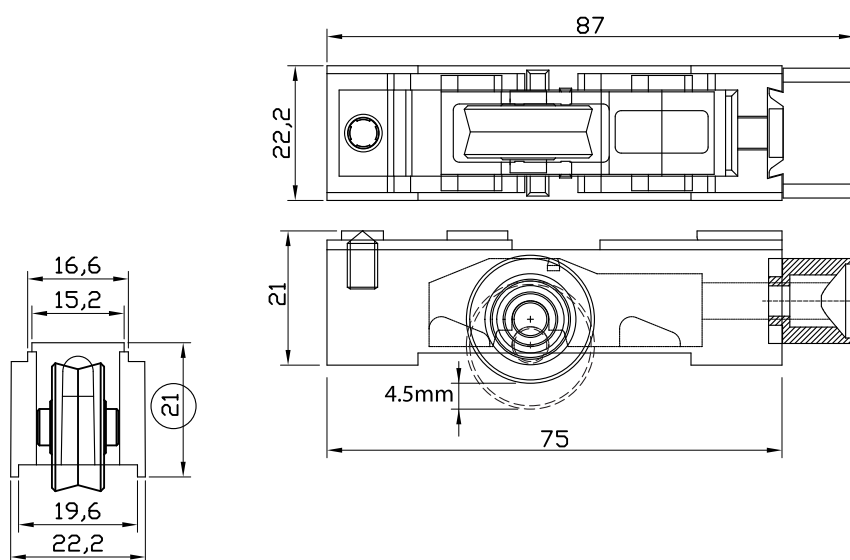
Rail, which can be adjusted and inspected. They can be changed without having to dismantle the wing, they are made from nylon, while the wheel holder is made from zamak.

Capacity of 2 rails Kg 80

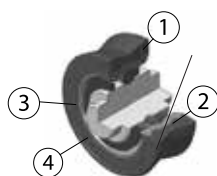
art. **21630.00.00**



- scatola da 50 kit (1 kit 4 carrelli)  
- box with 50 kits (1 kit 4 rails)



Capacity of 2 rails Kg 80



- ① Rivestimento nylon + fibra vetro  
Nylon coating + fiber glass
- ② Anello in acciaio temprato  
Ring hardened steel made
- ③ Schermatura in nylon  
Shielded in nylon
- ④ Asse in acciaio temprato zincato bianco  
Hardened steel axle white galvanized

